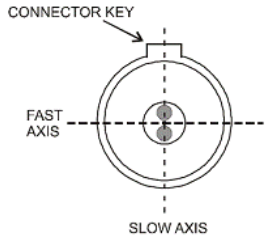


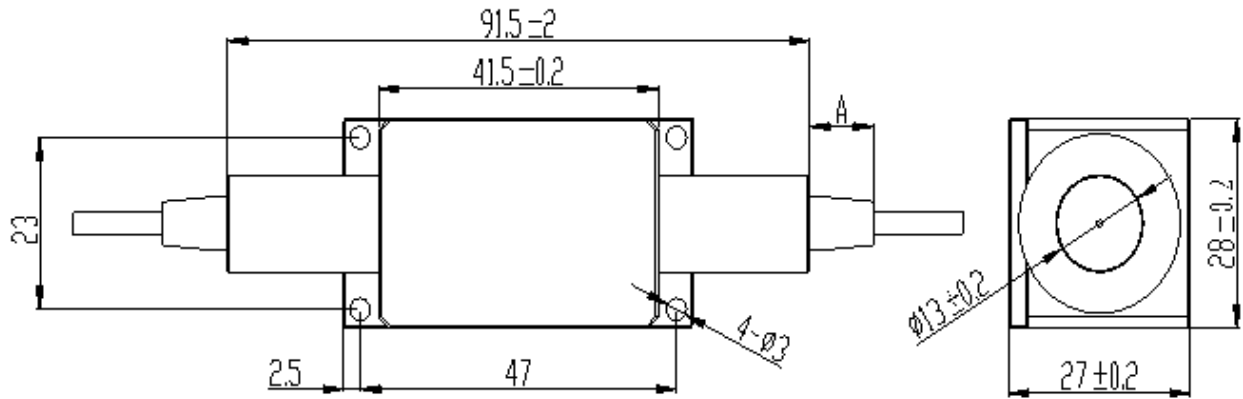
PMOI-780-SS Polarization Maintaining Optical Isolator (Single-stage)	
	Features: <ul style="list-style-type: none"> High isolation Low insertion loss Fast axis blocked
	Applications: <ul style="list-style-type: none"> Light-sources isolation
Specification	DATE: 27 th July 2016

SPECIFICATION				
Parameter	Min	Typ	Max	Unit
Stage		Single		
Center Wavelength		780		nm
Peak Isolation	25	35		dB
Insertion Loss		0.5	1.3	dB
Return Loss (Input/Output)	45/45	50/50		dB
Extinction Ratio	20			dB
Optical Power (CW)			500	mW
Max. Tensile Load			5	N
Operating Temperature	-5		50	°C
Storage Temperature	-40		75	°C

TYPICAL PERFORMANCE (for reference only) @ 25°	FIBER SPECIFICATION		
	Parameters	PANDA PM850	Unit
	Mode-field diameter	5.5±0.5	µm
	Cut-off wavelength	650-800	nm
	Cladding diameter	125±1	µm
	Coating diameter	245±15	µm
	Core-to-cladding offset	≤0.5	µm
	Length (each port)	1.0 ± 0.2	m
	Connector	FC/APC	
	 <p style="text-align: center;">Connector alignment to Panda fiber:</p>		

DIMENSIONS (subject to change)

(All sizes in mm)



PART NUMBER IDENTIFICATION

PMOI-780-SS-①①-②②

① Connector Type on Port 1 & 2: 1 - FC/APC, N - none

② Fiber Jacket on Port 1 & 2: B - 250um Panda Fiber, L - 900um Loose Tube Panda Fiber

Example: PMOI-780-SS-N1-BB

NOTE: Innolume product specifications are subject to change without notice.